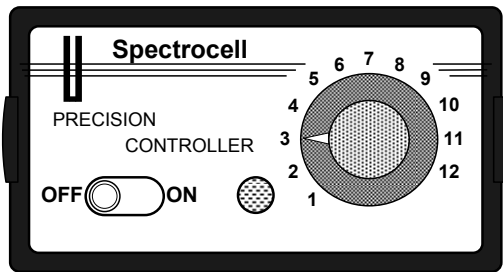


SPECTROCELL Direct Drive Stirring Systems

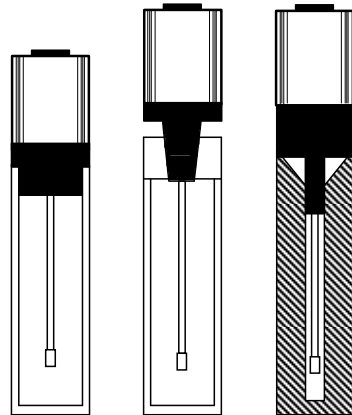
Spectrocell has three types of stirring systems available. All motors and controllers are interchangeable. Our stirring systems are designed to continuously mix liquid samples during scanning, promoting greater accuracy and reproducibility in the spectrophotometry of suspensions and in kinetic reaction studies.

Spectro-Stir systems are driven by precision, low voltage DC mini motors. Stirring speeds are accurately set with an electronic controller. Adjustments can be made for low speed stirring to maintain sample homogeneity while protecting delicate cell suspensions from degradation. Spectro-Stir systems perform reliably over a very wide range of sample viscosities and, with virtually any material, producing uniform dispersion in the widest range of specimens. Complete mixing occurs within one second, an advantage in kinetic reaction studies.

SYS-D1 Direct drive stirring systems are recommended when modification of the spectrophotometer cell compartment is not practical. Direct stirrers are supplied with 6 disposable PTFE shafts. Shown here is the stirring system, SYS-D1, which contains one motor and three cell adapters for 1cm square, stopper top, and semi-micro cells. The tapered adapter may also be used with semi-micro and micro stopper tops.



Adapters in this system are for these cell types.

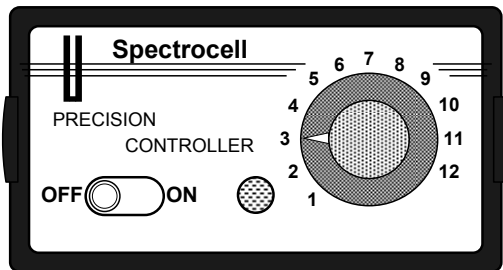


→ R-3010

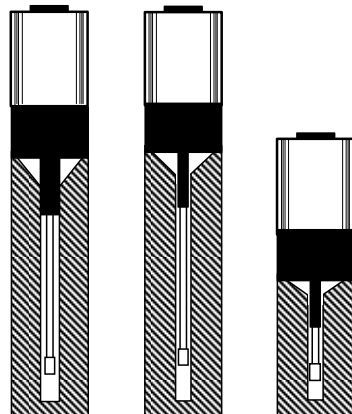
R-3010-s

SM-3010

SYS-M1 This direct drive stirring system is for small sample cells such as micro, micro long and semi-micro cells. Shown here is the stirring system, SYS-M1, which contains one motor and three cell adapters for semi-micro, micro, & micro short cells. Like the SYS-D1 pictured above, all direct drive stirring systems are top mounted. Direct stirring, without a stir bar, has the advantage of not grinding delicate cell suspensions and also eliminates magnetic uncoupling problems if high speeds are required. Direct stirrers are supplied with 6 disposable PTFE shafts.



Adapters in this system are for these cell types.



→ SM-3010

ML-3010

M-3010

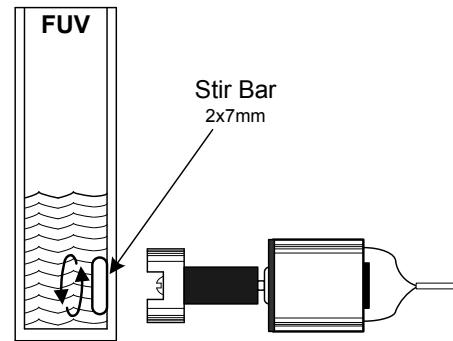
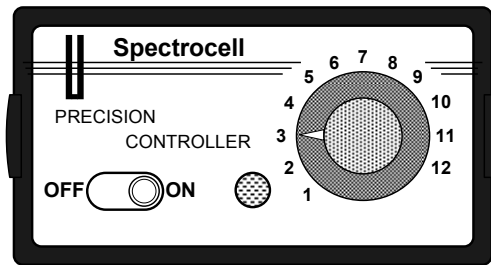
NOTE: Cells are not supplied with stirring systems.

SPECTROCELL Magnetic Stirring System

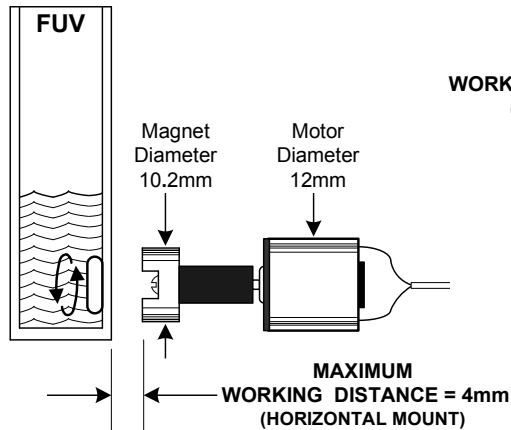
Magnetically-coupled Spectro-Stir, permanent magnet attached to the motor shaft to turn a PTFE coated spin bar or spin fin placed within the cuvette. The model MTR-114 motor uses a magnet slightly smaller than the diameter of the motor. It may be mounted with a mounting clip supplied with each magnetic motor kit or system. It may be mounted below, or alongside the cell, on a simple bracket or fixture supplied by the user. Only 35mm clearance, between the cell and cell compartment, is required.

SYS-114 Magnetically coupled stirring system consists of the following:

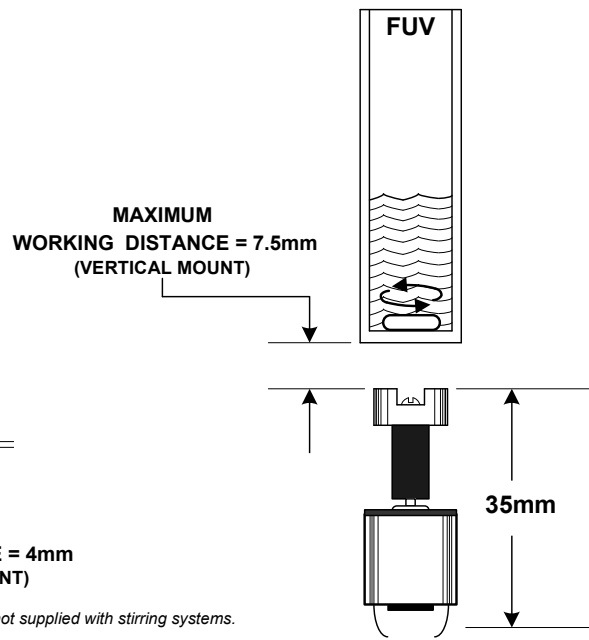
- **CTR-11** Electronic controller
- **MTR-114** Magnet/motor assembly
- **A-9001** PTFE coated spin bar
- **A-9032** 120 Volt adapter



HORIZONTAL ORIENTATION



VERTICAL ORIENTATION



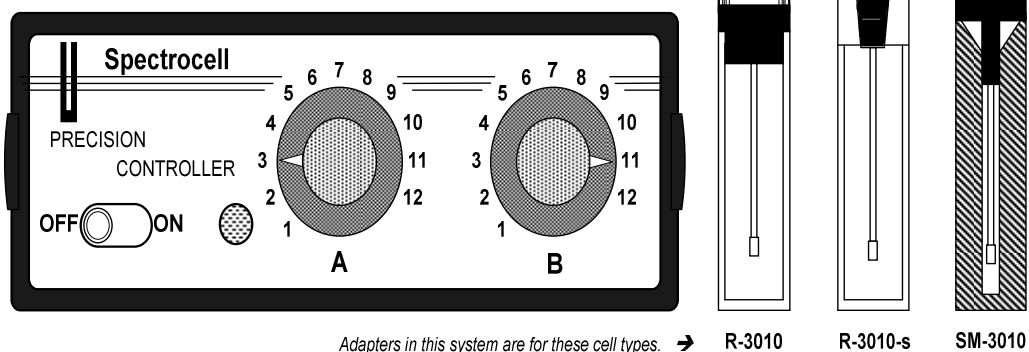
NOTE: Cells are not supplied with stirring systems.

SPECTROCELL Dual Channel Stirring Systems

The **Dual Channel Speed Controller** will power two separate stirring motors and allows for individual speed settings. The controller has one power ON/OFF switch with LED which controls both motors and comes with an AC/DC adapter. The controller is supplied with both direct drive and magnetic stirring systems.

SYS-2D Dual Channel Direct Drive Stirring System consists of the following:

- 1 **CTR-21** Dual Channel Electronic Controller
- 2 **D1-SET** Each kit contains one motor and adapters for 1cm square, stopper top & semi-micro cells.
- 1 **A-9032** 120 Volt adapter.



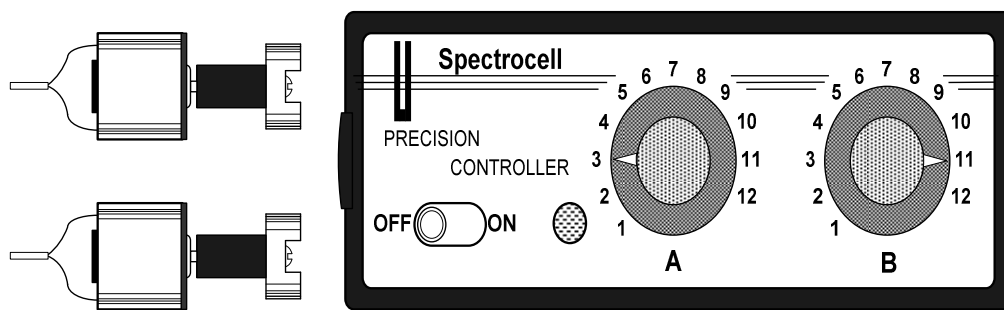
SYS-2M Dual Channel Direct Drive Stirring System consists of the following:

- 1 **CTR-21** Dual Channel Electronic Controller
- 2 **M1-SET** Each kit contains one motor and adapters for micro cell, micro-short, and semi-micro cells.
- 1 **A-9032** 120 Volt adapter.

[Not Shown]

SYS-214 Dual Channel Magnetic Stirring System consists of the following:

- 1 **CTR-21** Dual Channel Electronic Controller
- 2 **MTR-114** Magnet/Motor Assembly
- 1 **A-9001** PTFE Coated Magnetic Spin Bar (Pack of 2)
- 1 **A-9032** 120 Volt adapter.



SPECTRO STIR

2008 Pricing

SYSTEMS

SYS-D1	Direct Drive Stirring System	\$583
SYS-M1	Direct Drive Stirring System for Micro cells	\$614
SYS-114	Magnetic Drive Stirring System	\$593
SYS-2D	Dual Channel Direct Drive Stirring System	\$1053
SYS-2M	Dual Channel Direct Drive Stirring System for Micro cells	\$1039
SYS-214	Dual Channel Magnetic Drive Stirring System	\$1053

REPLACEMENT PARTS & COMPONENTS

MOTORS

D1-SET	Contains one motor kit with three adapters for standard, stopper top, & semi-micro cells.	\$235
M1-SET	Contains one motor kit with three adapters for micro, micro long, & semi micro cells.	\$275
MTR-114	Magnet/Motor Assembly	\$241

ELECTRONIC CONTROLLERS

CTR-11	Single Channel Electronic Controller	\$304
CTR-21	Dual Channel Electronic Controller	\$407

ACCESSORIES

A-9001	Teflon 2 x 7mm Spin Bar (Pack of 2)	\$39
A-9003	Teflon Spin Fin (9.5 mm diameter x 8 mm high)	\$19
A-9032	120V Power Adapter U.S. type for CTR-11 & CTR-21	\$20
A-9033	VDE Type 220V power adapter for CTR-11 & CTR-21	\$52
A-9037	VDE Type 220V power adapter for US standard w/new CTR-11	\$25
A-9065	Japan type 100V power adapter for CTR-11 & CTR-21	\$35
A-9068	Japan type 100V power adapter for US standard w/new CTR-11	\$25
A-9062	Replacement Shafts (Pack of 25)	\$35

SPECTROCELL

P.O. Box 33
Oreland, Pennsylvania 19075 USA

PHONE: 215-572-7605

FAX: 215-885-2792

spectrocell@comcast.net

www.spectrocell.com